

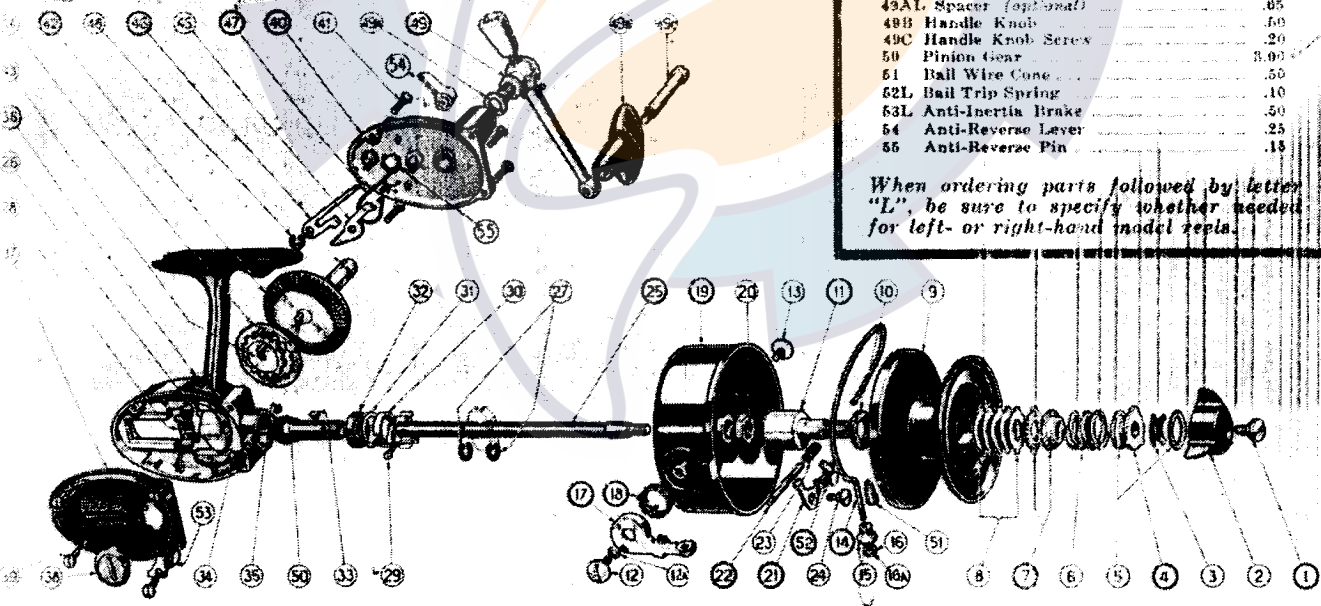


- No backlash — long casts without "birdsnests."
- Planamatic Gears — combine the advantages of cross- and level wind.
- Easy maintenance — large lubrication and gear inspection port.
- Smooth wide-span drag adjustment — 4-lb. to 70-lb. tests.
- Larger line capacity.
- Rapid spool change without disturbing drag adjustment. (To remove spool turn to left and spin off. Left-hand reel turn spool to right.)
- Positive full ball pick-up with non-wearing Dura-Joy line guide—readily convertible with easy to install ball-bearing manual pick-up attachment.
- Torpedo-shaped, folding, screw-locked handle on stainless steel shaft.
- Contoured reel foot shaped to provide perfect grip, most comfortable fit in casting hand — no more "knuckle-busting!"
- Corrosion-resistant baked-on finish.



PARTS LIST

Note the low prices of Garcia reel parts.



302-303

Number	Part	Price
1L	Drag Assembly Screw	\$.15
2	Drag Adjusting Knob	.30
3	Drag Star Spring	.05
4L	Drag Nut	.30
5	Shim (set of 2)	.10
6	Drag Coil Spring	.35
7L	Coaster Assembly	.50
8	Spacers	.50
9	Spool Shell	3.75
10	Fiber Washer	.05
11L	Spool Spindle	1.25
12	Screw #1	.15
12A	Washer (optional)	.10
13	Screw #2	.15
14L	Ball Wire	2.00
15	Line Guide	2.50
16	Line Guide Lock Nut	.10
16A	Lock Washer (optional)	.05
17L	Bail Mount	1.25
18L	Bail Spring	.25
19L	Rotating Head	4.50
20	Hex Nut	.10
21L	Bail Trip Lever	.15
22L	Bail Release Pin	.25
23	Bail Release Spring	.10
24	Trip Lever Screw	.05
25L	Axle	2.00
26	Pivot Slide	.80
27	Pivot Slide "C" Locks (pair)	.10
28	Axle Guide	.35
29	Axle Guide Screw	.05
30	Centering Bushing	.15
31	Shim	.05
32	Ball Bearing Assembly	2.00
33	Key	.10
34	Set Screw #1	.05
35	Set Screw #2	.05
36L	Housing	6.90
37	Name Plate	.75
38	Lubrication Port Cover	.25
39	Name Plate Screws (Set of Four)	.40
40L	Cover Plate	3.90
41	Cover Plate Screws (Set of Four)	.40
42L	Drive Gear	5.50
43	Planamatic Gear	.50
44	Planamatic Cam Ring	.75
45	Anti-Reverse Dog	.15
46L	Anti-Reverse Cam Spring	.10
47L	Anti-Reverse Spring	.05
48	Lock Washer	.05
49L	Handle	2.50
49AL	Spacer (optional)	.05
49B	Handle Knob	.50
49C	Handle Knob Screw	.20
50	Pinion Gear	3.00
51	Bail Wire Cone	.50
52L	Bail Trip Spring	.10
53L	Anti-Inertia Brake	.50
54	Anti-Reverse Lever	.25
55	Anti-Reverse Pin	.15

When ordering parts followed by letter "L", be sure to specify whether needed for left- or right-hand model reels.

All prices and specifications subject to change without notice.

charles garcia & CO., INC.
 268 FOURTH AVENUE
 NEW YORK 10, N. Y.

Parts and service always available
 You are always backed by Garcia's
 unconditional guarantee policy.